

FLL12/24

Parallel LED Warning



- Connected to the detectors LED output
- Determines detector location in places with ceiling floor and raised floor
- Used in areas where it is hard to reach to the detector and/or amount of detectors are excessive
- Compatible with EDS Detectors

Technical Specifications

Model	FLL12/24
Environmental class	II indoor
Electrical	
Operating voltage	12V-24V \pm %10
Current consumption	0.70mA
Distance between device and detector	100m
General	
Housing material	ABS Plastic
Housing shape	Standard
External cover color	Red
Operating temperature	-10°C~+60°C
Dimension (HxWxD)	76x76x32mm
Weight	354gr

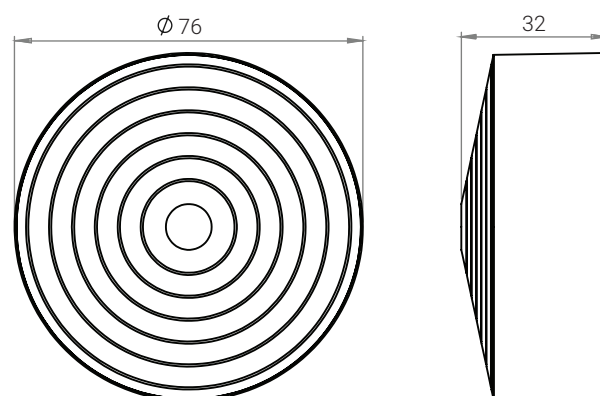
Description

Connected to the detectors LED outputs. When the device detects differences in the environment, warning LEDs are activated. Allows user to determine detector location in places with ceiling floor and raised floor. Used to determine the detectors operation in areas where it is hard to reach to the detector and/or amount of detectors are excessive such as in hotel rooms and restricted zones.

Ordering Information

P/N	Description
FLL12	Parallel LED Warning 12V for EDS Detectors
FLL24	Parallel LED Warning 24V for EDS Detectors

Dimensions (mm)



1141 Budapest, Fogarasi út 77. **1095 Budapest, Mester u. 34.**
Tel.: *220-7940, 220-7814, 220-7959, Tel.: *218-5542, 215-9771, 215-7550,
220-8881, 364-3428 Fax: 220-7940 216-7017, 216-7018 Fax: 218-5542
Mobil: 30 531-5454, 30 939-9989 Mobil: 30 940-1970, 30 959-0930

www.delton.hu

E-mail: info@delton.hu Web: www.delton.hu